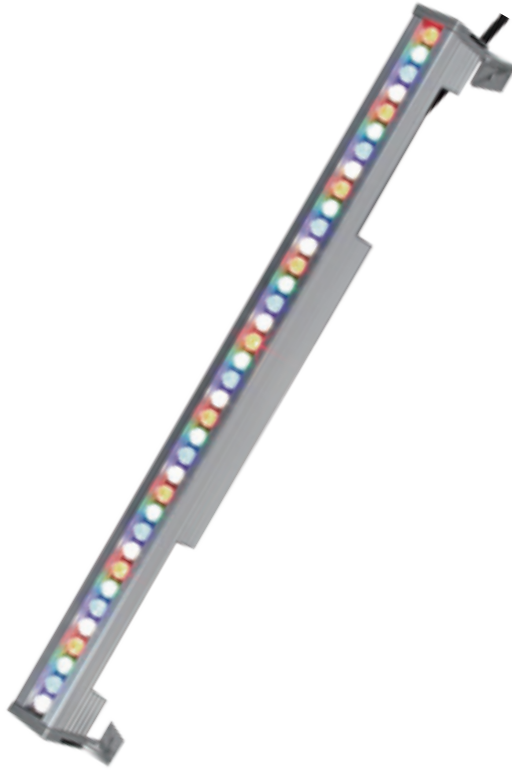


## SL STRIP 400



The SL STRIP 400 LED luminaire is a compact linear wash luminaire delivering a bright narrow beam.

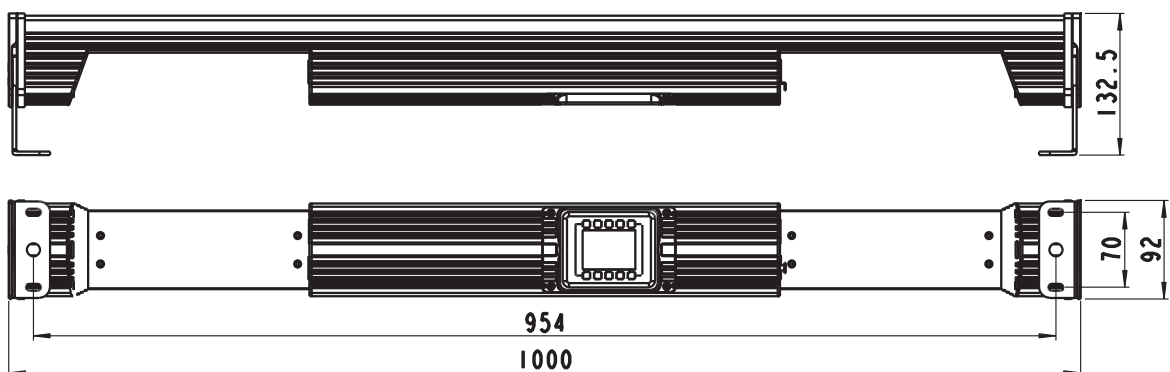
A wide choice of options makes the SL STRIP 400 suitable for a diverse variety of lighting design applications. Choose the RGBW LED option for washes of colour, or choose the Tunable White option for selective grazing and uplighting. For wet applications and outdoor environments, select the IP65 models.

Mounting brackets feature secure lock off and a tight profile to insure close placement to insure smooth beam spreads. The SL STRIP 400 Luminaire is fully RDM capable, ensuring fast convenient remote commissioning - ideal for installations where access to the luminaires is difficult.

### Features :

- Rugged Construction
- Philips LumiLeds RGBW LED's for exceptional output and color
- Built-in color presets, effects and chases
- HSIC (Hue - Saturation - Intensity - Color temperature) operation mode
- 8 or 16-bit DMX-512A operation for smooth stepless fades
- On-board LCD Menu System for addressing and setup
- Remote configuration available via RDM
- PowerCon in and thru power connections
- 5-pin DMX-512A(RDM) in and thru connections

### Drawing Diagram :



IP 20 model

## Technical Specifications :

**Version:**

SL STRIP 400 RGBW, IP20 or IP65

**Optics:**

10 degree beam angle  
36 high power LEDs

**Controls:**

DMX-512A(RDM)  
Local LCD control  
Master/slave

**Physical:**

90-240VAC, 90W  
1000mm x 92mm x 140mm, 6kg  
CE

**Luminance:**

2350 lumens

**CRI/CQS:**

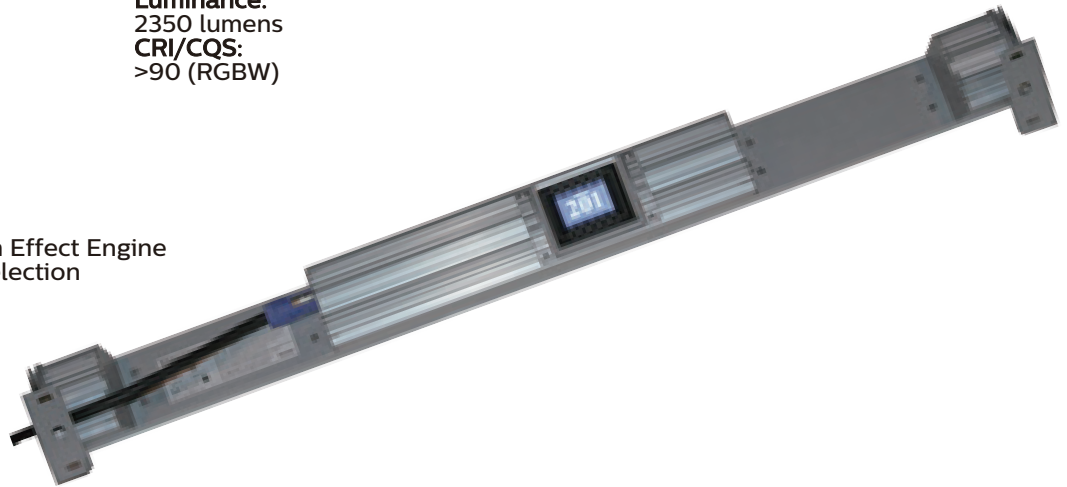
>90 (RGBW)

**Features:**

Color Gel filter preset  
Chase - Strobe + Duration Effect Engine  
LED & Tungsten Curves selection

**Modes:**

HSIC  
8 bit RGBW  
16 bit RGBW



## Ordering Information :

SLSTRIP400RGBWIP20  
88-095-4264-31

SL STRIP 400 RGBW IP20

SLSTRIP400RGBWIP65  
88-095-4174-31

SL STRIP 400 RGBW IP65

SLSTRIP400TWIP20  
88-095-4264-71

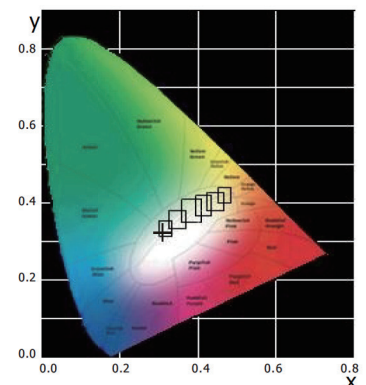
SL STRIP 400 Tunable White IP20

SLSTRIP400TWIP65  
88-095-4174-71

SL STRIP 400 Tunable White IP65

## Harmonize Color Calibration Technology

At the heart of all Showline products is Philips Harmonize Calibration technology. Harmonize is a proprietary, advanced LED color matching system, consisting of 3 correction modules: RGB, RGBW and Cool White/Warm White. Every Showline fixture undergoes rigorous testing to provide you with consistent control of color and intensity as well as output of the highest quality.



*Philips Group 2012. All rights reserved.*

*The Company reserves the right to make any variation in design or construction to the equipment described. E&OE. Philips Entertainment delivers fully integrated lighting solutions; from simple lamps to complete systems designed with the specific needs of the entertainment and specialized display lighting markets.*

Philips Entertainment  
U.S. 10911 Petal Street  
Dallas, TX 75238  
USA  
Tel: +1 214647 7880  
Fax: +1 214647 8030

Philips Entertainment Lighting Asia  
Limited Unit C, 14/F, Roxy Industry Centre  
No. 41 - 49 Kwai Cheong Road  
Kwai Chung, N.T. Hong Kong  
Tel: +852 27969786  
Fax: +852 27986546

Philips Entertainment Group  
Europe Rondweg Zuid 85  
Winterswijk 7102 JD  
Netherlands Tel: +31  
543-542343  
Fax: +31 53 4500425

Philips Entertainment New Zealand  
19 - 21 Kawana Street, Northcote  
Auckland 0627, New Zealand  
Tel: +64 9481 0100  
Fax: +64 9481 0101