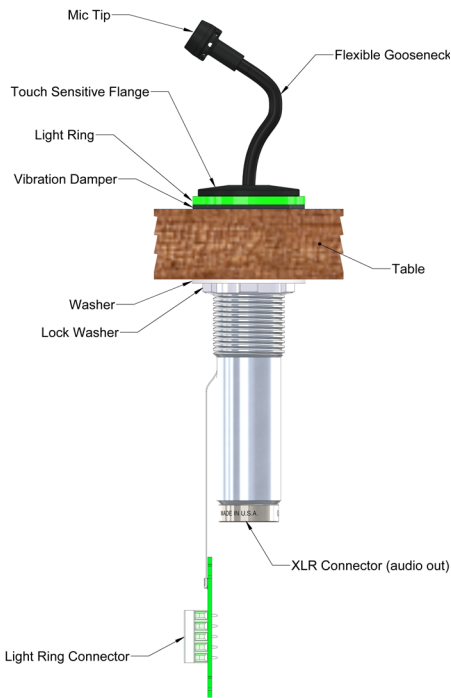


Earthworks® LumiComm™ Touch Ring

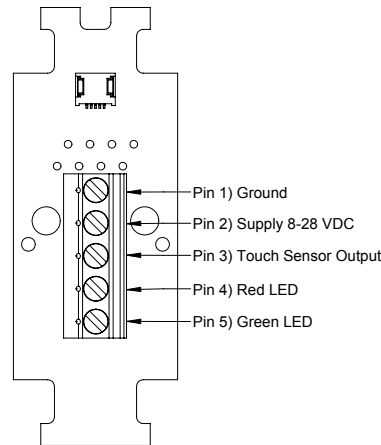


The Earthworks LumiComm™ Touch Ring features a dual-color LED light ring and a touch sensor output. The logic controlled LumiComm™ Touch Ring provides system integrators complete freedom to assign function and LED color.

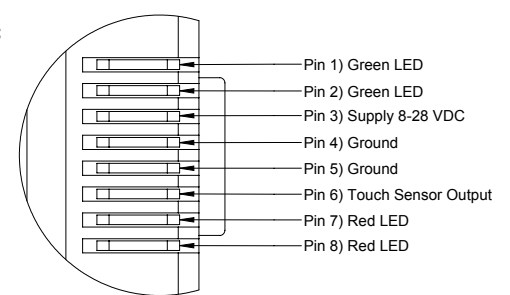
- Engineered for a wide supply voltage range. (From 7-28 VDC regulated supply—No external LED resistors needed.)
- Touch sensitive flange that provides a pull down touch sensor output (Active Low).
- Light diffuser that houses 10 LEDs providing side illumination (5 Green, 5 Red).
- Current consumption 85mA with 5 LEDs lit and 170mA with 10 LEDs lit.
- Supplied with either a 5 pin RJ45 connector or a 5 pin Phoenix connector.

Connectors

Phoenix Connector



RJ45 Connector



Installation

Install the microphone into a tabletop as shown.

Important

- Do not overtighten the lock washer, as this reduces shock isolation
- Use the included Phoenix or RJ45 connector to wire the microphone to an automatic mixer or other logic device.

Logic Connection

Red Illumination

Green Illumination

