

# Acclaim Axial Zoomspot

The latest in compact filament lamps is combined with the efficiency of axial reflector systems and Selecon’s custom optical design to produce an ellipsoidal fixture with precise beam control necessary for front stage lighting from auditorium positions.

The high-quality beam is equally useful for gobo projection. The Acclaim Axial offers efficiency, strength and performance with a choice of two beam angle ranges.



## Features

- Available in 18°-34° or 24°-44° beam angles
- Interchangeable lens tray between Medium and Wide versions
- Beam adjustable from smooth, flat beam for gobo projections to high intensity peak distribution for stage washes
- Unique easy to use and precise adjustable beam Peak-Flat mechanism
- Captive shutters offering wider degree of masking angles
- Slot provided for Iris or rotatable (35°) gobo holder
- ‘Swing-down’ doors for easy access to lens cleaning
- Mains isolation via micro-switch when back is removed for lamp replacement
- Constructed of pressure die-castings and aluminium extrusion

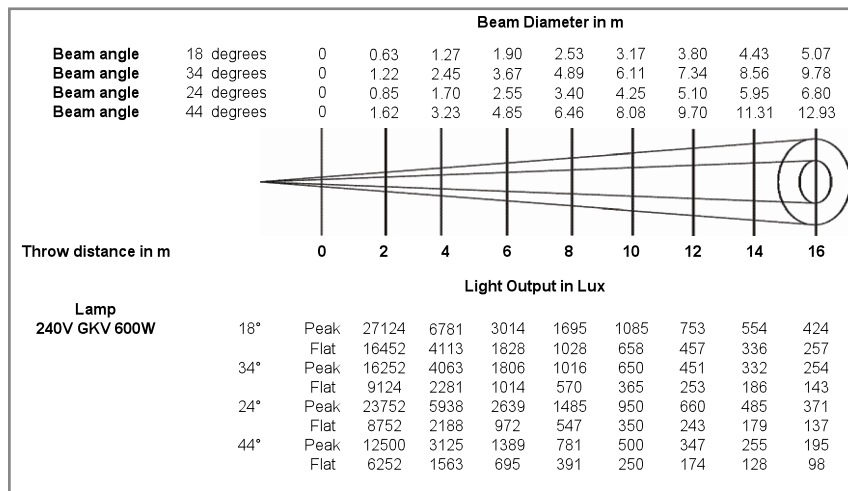
**PHILIPS**  
**Selecon**

## SPECIFICATION SUBMITTAL

CONSULTANT <input type="text"/>	PROJECT NAME: <input type="text"/>	MODEL NUMBER   QUANTITY: <input type="text"/> <input type="text"/> <input type="text"/> <input type="text"/> <input type="text"/> <input type="text"/>
DATE: <input type="text"/>	PROJECT NUMBER: <input type="text"/>	APPROVED BY: <input type="text"/>

## Photometric Data

Tests conducted using standard Philips lamps.



## Lamps: 220V-240V

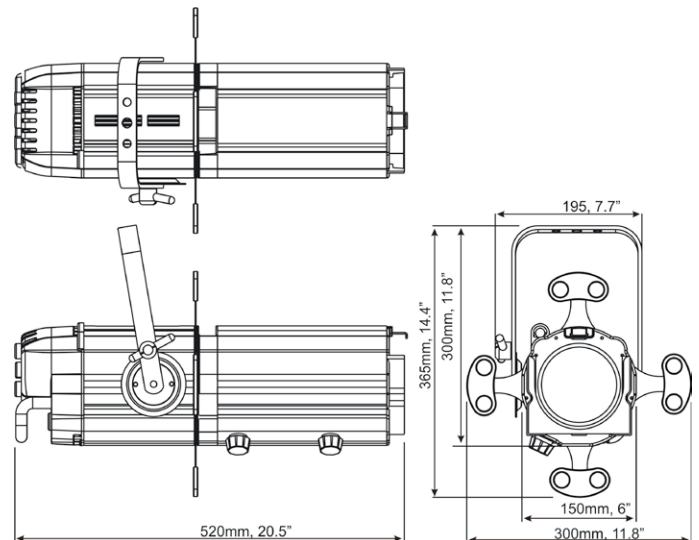
<b>GKV 600w</b>	15,000 lumens	400hrs average life
<b>GLB 600w</b>	13,000 lumens	1500hrs average life

## Approvals

Fully compliant to CE standards.

## Physical Data

<b>Weight:</b>	5.6kg
<b>Colour Frame Size:</b>	125mm x 125mm
<b>Gobo Size:</b>	M size
<b>Included:</b>	1x colour frame, 1x M12 nut & bolt set and instruction leaflet



## Ordering Information

**Cat No**      **Description**

<b>12ACX1834</b>	Acclaim Axial 18°-34° Zoomspot	<b>15ACAX2444LT</b>	Acclaim Axial 24°-44° lens tray
<b>12ACX2444</b>	Acclaim Axial 24°-44° Zoomspot	<b>15ACSM</b>	Lens safety mesh
<b>15ACIRIS</b>	Acclaim iris	<b>20HC</b>	Suspension hookclamp
<b>15ACGH</b>	Acclaim rotatable gobo holder	<b>20SC</b>	Safety bond
<b>15ACAX1834LT</b>	Acclaim Axial 18°-34° lens tray		

## Philips Selecon

### Los Angeles

6603 Darin Way  
Cypress, CA 90630  
Tel: (714) 230-8200  
Fax: (714) 899-0042

### New York

267 5th Ave, 4th Floor  
New York, NY 10016  
Tel: (212) 213-8219  
Fax: (212) 532-2593

### Dallas

10911 Petal Street  
Dallas, TX 75238  
Tel: (214) 647-7880  
Fax: (214) 647-8030

### www.seleconlight.com

© Philips Group 2009  
All rights reserved.  
The Company reserves the right to make any variation in design or construction to the equipment described. E&OE

### Auckland

19-21 Kawana Street  
Northcote, Auckland 0627  
New Zealand  
Tel: + 64 9 481 0100  
Fax: + 64 9 481 0101

### Asia

Room 6-10,  
20/F Delta House  
3 On Yiu Street  
Shatin, N.T. Hong Kong  
Tel: + 852-2757-3033  
Fax: + 852-2757-1767

### Europe

European Service & Distribution Centre  
Marssteden 152  
Enschede 7547 TD  
The Netherlands  
Tel: +31-53-4500424  
Fax: +31-53-4500425

062409EU

**PHILIPS**  
**Selecon**